

4

3

2

1

THIS DRAWING IS UNPUBLISHED.

RELEASED FOR PUBLICATION

© COPYRIGHT - By -

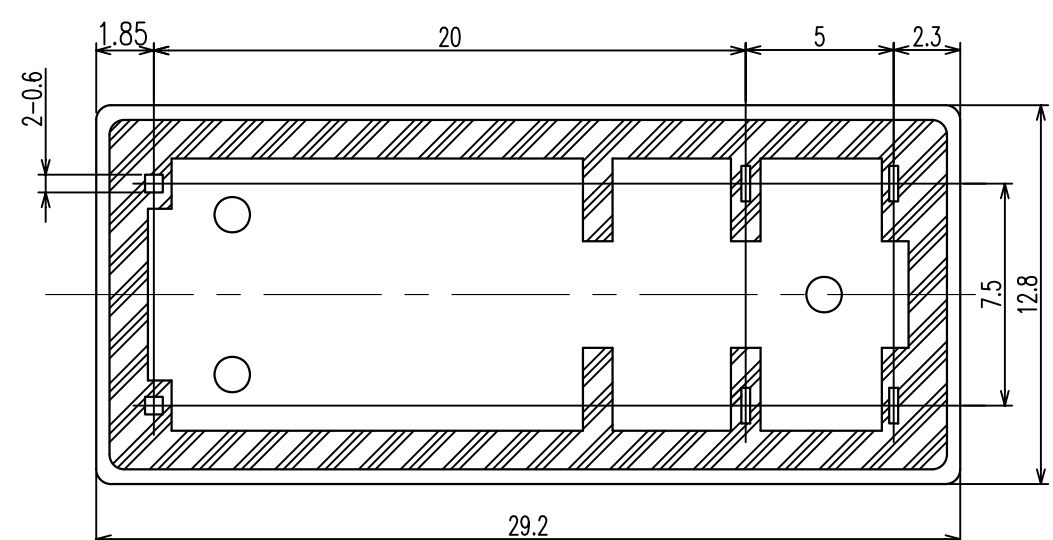
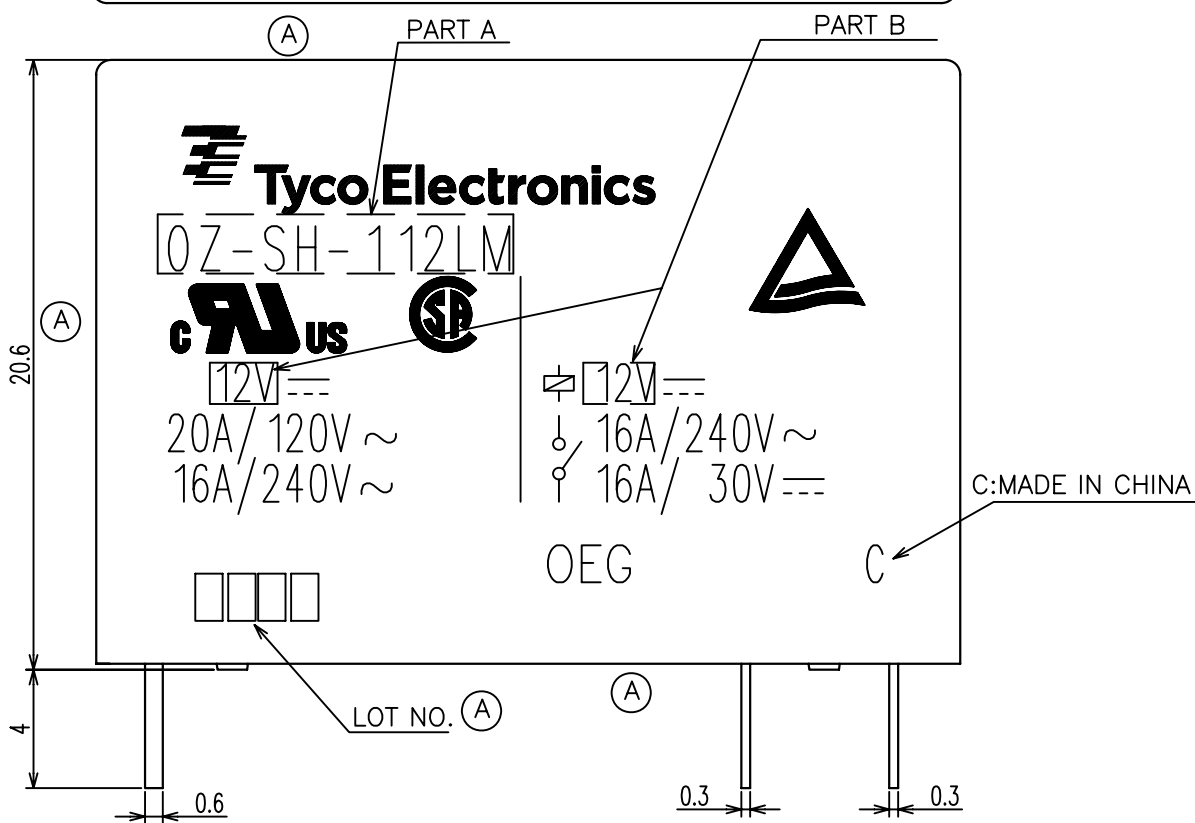
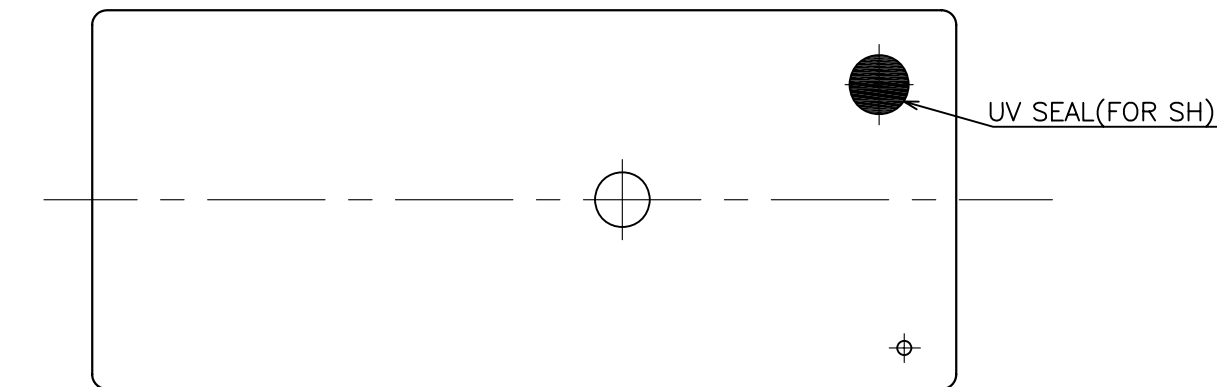
ALL RIGHTS RESERVED.

LOC  
HB

DIST  
-

REVISIONS

P	LTR	DESCRIPTION	DATE	DWN	APVD
F1		ADD PN	ECO-11-005973	24-MAR-11	D.L BH.Y



NOTES:  
 1. TERMINAL DIMENSION IS NOT INCLUDING SOLDER TIP.  
 2. LOT NO. SYSTEM AS FOLLOING:  
 0825  
 WEEK  
 YEAR

3. GENERAL TOLERANCE AS FOLLOING:

TOLERANCE	
0~0.99mm	±0.1
1mm~2.99mm	±0.2
3mm MIN.	±0.3

THIS DRAWING IS A CONTROLLED DOCUMENT.

DWN SHIMING.CHEN		OZ-1M CUSTOMER DRAWING			
CHK WAYNE.PENG		SIZE	CAGE CODE	DRAWING NO	RESTRICTED TO
APVD FUNAYAMA.NAOYA		A3	00779	C=1440002-5	-
PRODUCT SPEC		CUSTOMER DRAWING			SCALE 4:1
APPLICATION SPEC	SHEET 1 OF 2			REV F1	

THIS DRAWING IS UNPUBLISHED.

RELEASED FOR PUBLICATION

-. - .

© COPYRIGHT - By -

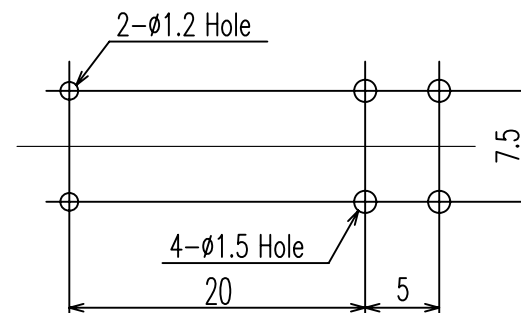
ALL RIGHTS RESERVED.

LOC	DIST	REVISIONS					
		P	LTR	DESCRIPTION	DATE	DWN	APVD
HB	-						

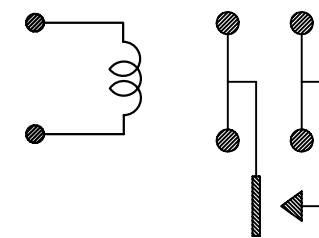
PART NO	DESCRIPTION	PART B	PART A	ITEM
1-1461250-4	OZ-SH-112DM1	12V	OZ-SH-112DM1	y
1-1461250-9	OZ-SH-148LM1	48V	OZ-SH-148LM1	x
1-1461250-7	OZ-SH-148DM1	48V	OZ-SH-148DM1	w
1-1461250-5	OZ-SH-124LM1	24V	OZ-SH-124LM1	v
1-1461250-3	OZ-SH-109LM1	9V	OZ-SH-109LM1	u
1-1461250-1	OZ-SH-109DM1	9V	OZ-SH-109DM1	t
0-1461250-9	OZ-SH-106LM1	6V	OZ-SH-106LM1	s
0-1461250-7	OZ-SH-106DM1	6V	OZ-SH-106DM1	r
0-1461250-4	OZ-SH-105DM1	5V	OZ-SH-105DM1	q
0-1-1440002-0	OZ-SH-124DM1	24V	OZ-SH-124DM1	p
0-1440002-8	OZ-SH-112LM1	12V	OZ-SH-112LM1	o
0-1440002-5	OZ-SH-105LM1	5V	OZ-SH-105LM1	n
7-1440009-5	OZ-SS-103LM1	3V	OZ-SS-103LM1	m
0-1461355-1	OZ-SS-118DM1	18V	OZ-SS-118DM1	l
0-1461251-5	OZ-SS-105DM1	5V	OZ-SS-105DM1	k
0-1461251-4	OZ-SS-109DM1	9V	OZ-SS-109DM1	j
0-1461251-3	OZ-SS-105LM1	5V	OZ-SS-105LM1	i
3-1440002-0	OZ-SS-148DM1	48V	OZ-SS-148DM1	h
2-1440002-9	OZ-SS-124LM1	24V	OZ-SS-124LM1	g
2-1440002-6	OZ-SS-124DM1	24V	OZ-SS-124DM1	f
2-1440002-4	OZ-SS-112LM1	12V	OZ-SS-112LM1	e
2-1440002-2	OZ-SS-112DM1	12V	OZ-SS-112DM1	d
2-1440002-0	OZ-SS-109LM1	9V	OZ-SS-109LM1	c
1-1440002-7	OZ-SS-106LM1	6V	OZ-SS-106LM1	b
1-1440002-5	OZ-SS-106DM1	6V	OZ-SS-106DM1	a

RELAY TYPE

DRILLING DIAGRAM (BOTTOM VIEW)



CIRCUIT DIAGRAM(2/1) (BOTTOM VIEW)



INCOMBUSTIBILITY	TREATMENT	MATERIAL	DESCRIPTION	ITEM
		UV RESIN	UV SEAL	16
		EPOXY RESIN	SEAL	15
		Cu ALLOY	HINGE SPRING	14
		PBT	CASE	13
		MW79	MAGNETIC WIRE	12
UL94V-0		PET	BASE	11
UL94HB		PBT	BOBBIN	10
	SOLDER DIP	Cu ALLOY	COIL TERMINAL	9
UL94V-0		PPS	CARD	8
		Ag ALLOY	MOVABLE CONTACT	7
		Ag ALLOY	STATIONARY CONTACT	6
	SOLDER DIP	Cu ALLOY	MOVABLE SPRING	5
	SOLDER DIP	Cu ALLOY	NO-TERMINAL	4
	Ni PLATED	STEEL	CORE	3
	Ni PLATED	STEEL	ARMATURE	2
	Ni PLATED	STEEL	YOKE	1

THIS DRAWING IS A CONTROLLED DOCUMENT.		DWN		<b>STE</b> TE Connectivity	
CHK		-			
APVD		-		NAME	
PRODUCT SPEC		-		OZ-1M CUSTOMER DRAWING	
APPLICATION SPEC		-		RESTRICTED TO	
MATERIAL		-		SIZE	A3
FINISH		-		CAGE CODE	00779
				DRAWING NO	C=1440002-5
				SCALE	4:1
				SHEET	1 OF 1
				REV	F1
CUSTOMER DRAWING					