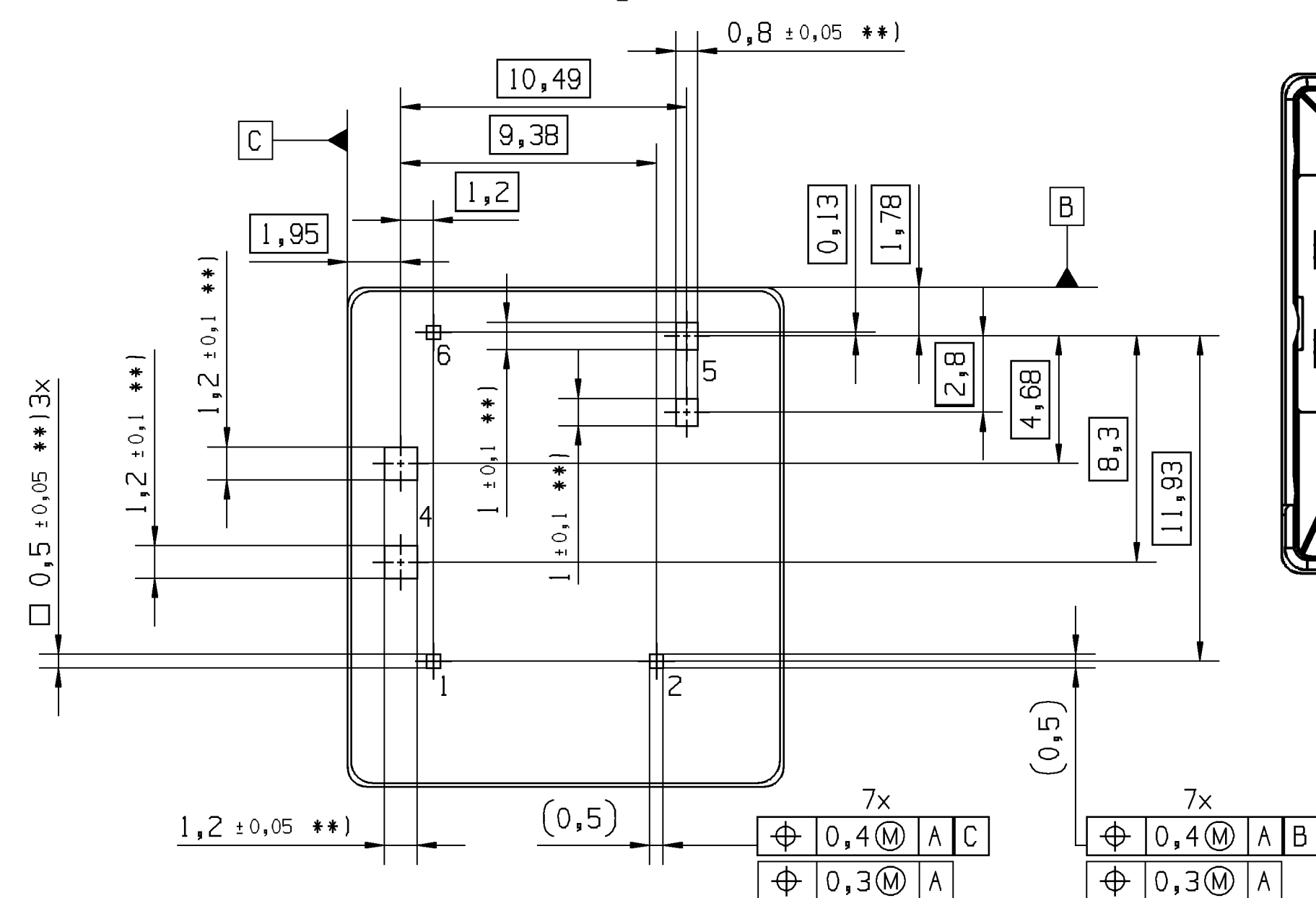
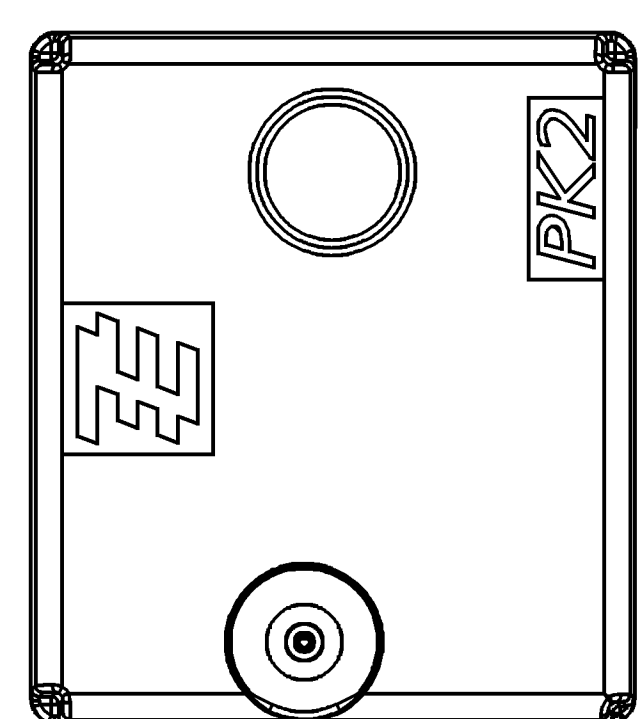
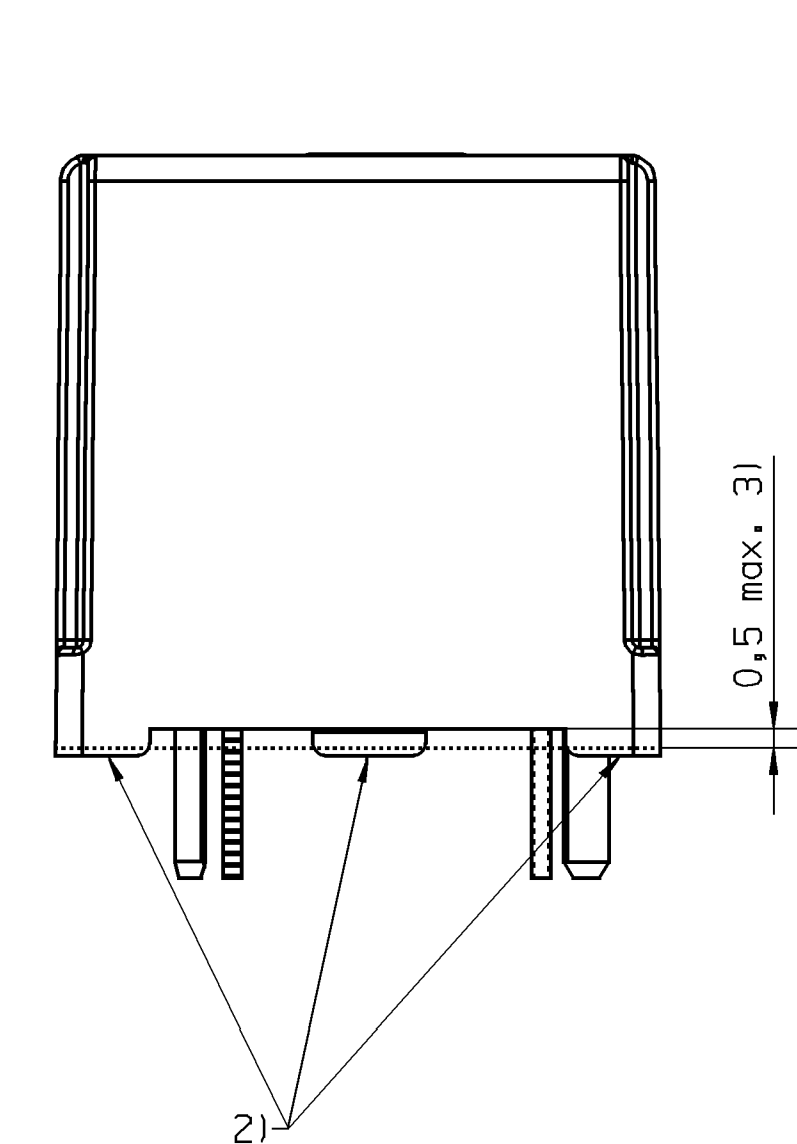
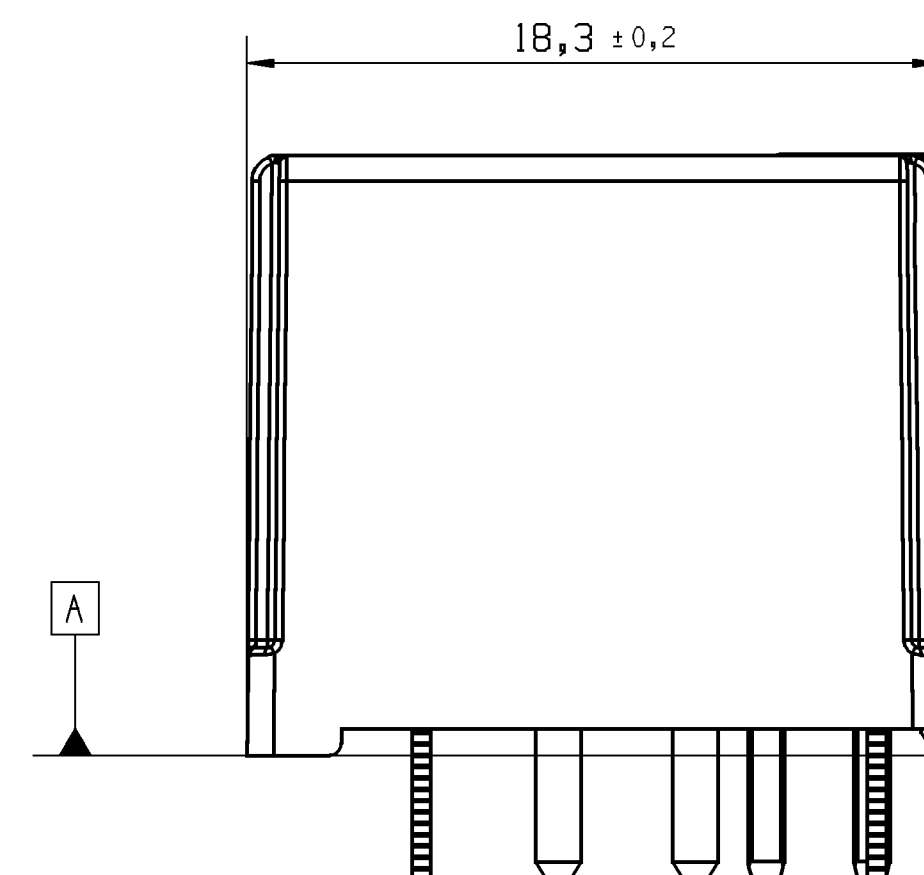
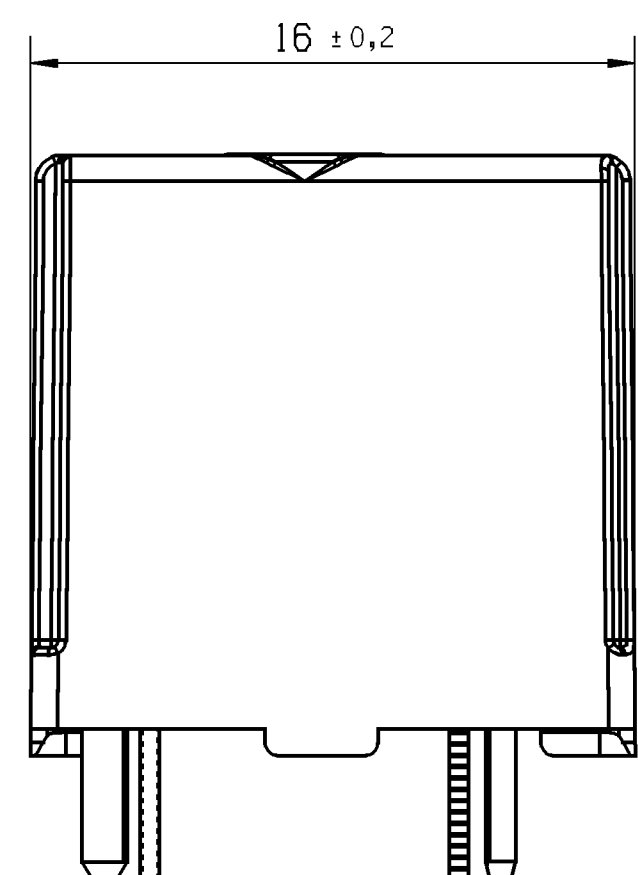
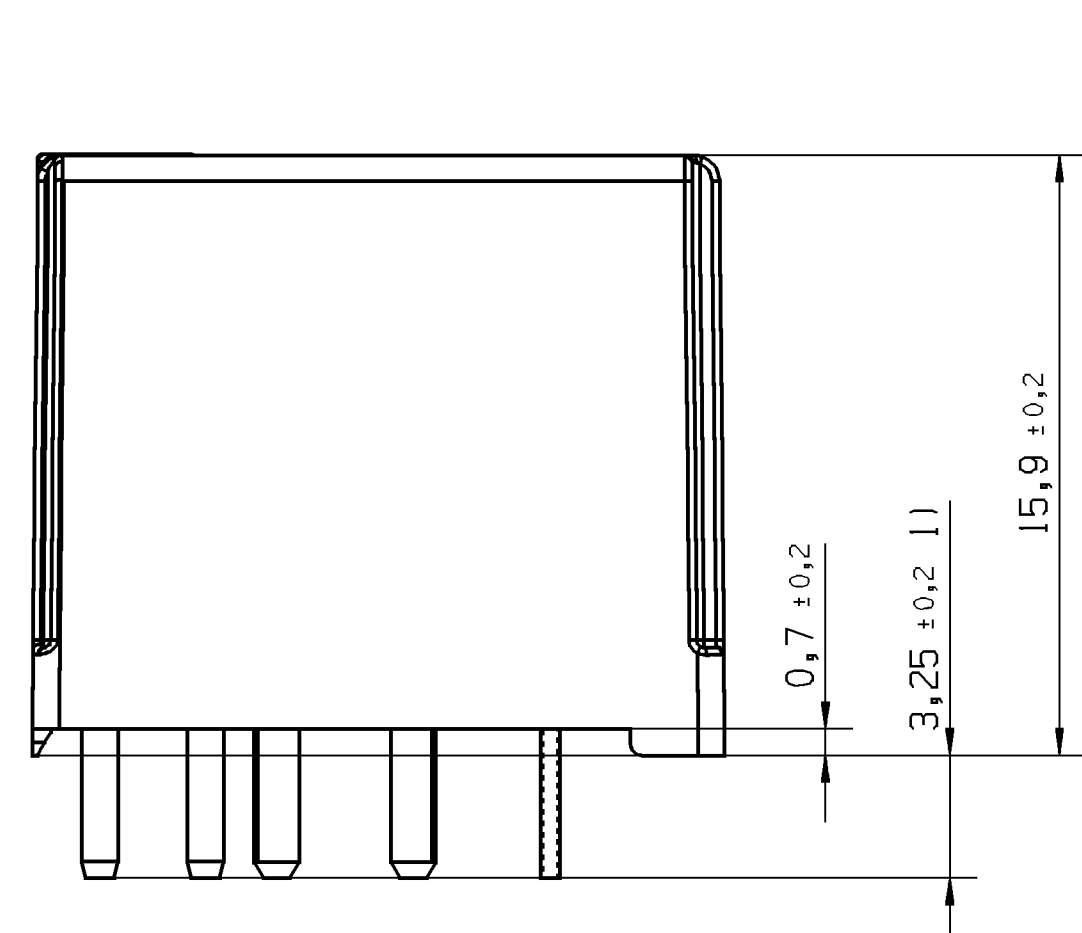
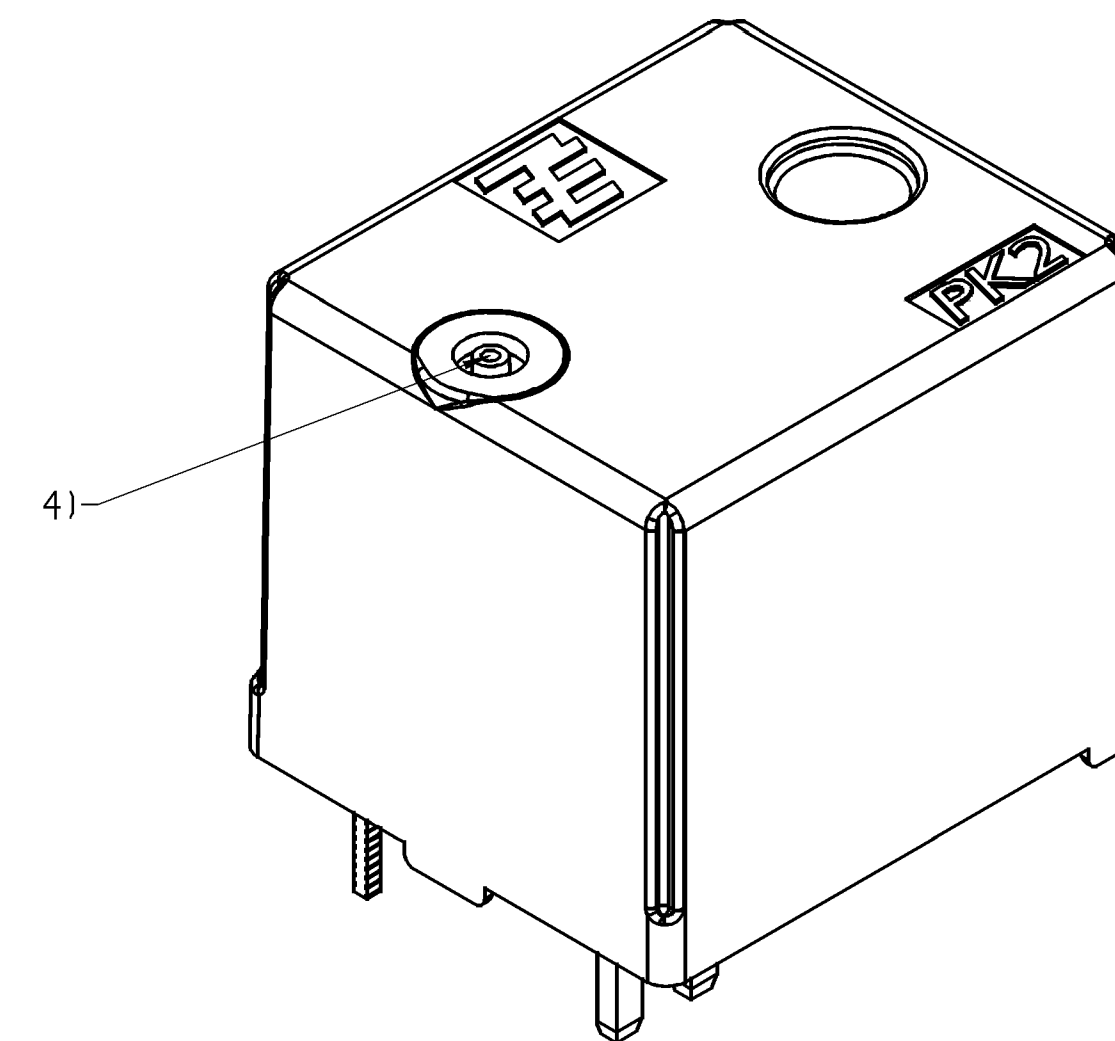
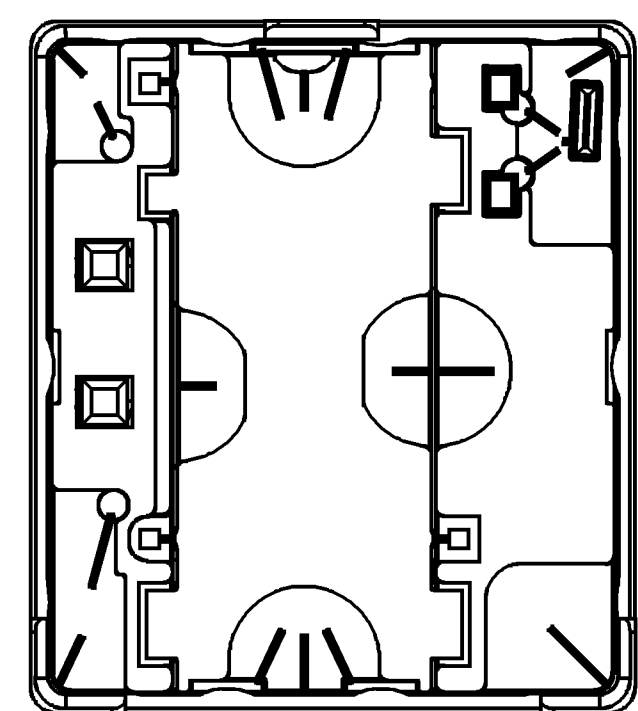


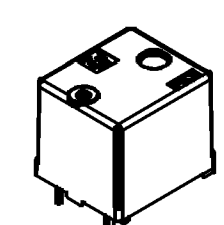
Pinning



Remark: Positional tolerances acc. to DIN EN ISO 5458
**) without tinning (hot dip)



3-1415001-8	V23201-T1010-A502	Vent hole open
-	V23201-T1006-A502	Vent hole open
4-1414915-9	V23201-L1004-A502	Vent hole closed
6-1414782-9	V23201-L1003-A502	Vent hole closed
PART NUMBER	DESCRIPTION	



SCALE 1:1

- 1) Pin length without tin, with tin max. 4,25 mm
- 2) Stand off surface free of epoxy and tin
- 3) Allowed area without additional dip tin, respectively height of resin on terminals

PROPRIETARY THE REPRODUCTION, TRANSMISSION OR USE OF THIS DOCUMENT OR IT'S CONTENTS IS NOT PERMITTED WITHOUT EXPRESSED WRITTEN AUTHORITY. OFFENDERS WILL BE LIABLE FOR ALL DAMAGES. ALL RIGHTS, INCLUDING RIGHTS CREATED BY REGISTERED PATENTS OR GRANTED FOR A UTILITY MODEL OR DESIGN, ARE RESERVED.				CHANGES TO THIS DRAWING MUST BE DONE ONLY IN CAD		PAPER SIZE A1	
APPLICABLE SPEC.:				FINISH			
DIMENSIONS UNLESS SPECIFIED OTHERWISE 150 2768-nk				DIMENSIONS APPLY		PLATING	
SCALE 5:1				WEIGHT		MATERIAL	
DATE: 2007-02-21 NAME: Migrant/len				PART NAME PK2 RELAY COMPL BIST			
DATE: 2006-11-06 NAME: ---				PART NO. C23303-A0201-A002-CD			
DATE: 2006-09-12 NAME: WBO6/1045				SHT. 1 OF 1			
DATE: 2006-08-07 NAME: WBO7/A003				CUSTOMER DRAWING			
DATE: 2006-08-07 NAME: WBO7/A003				Tyco Electronics			