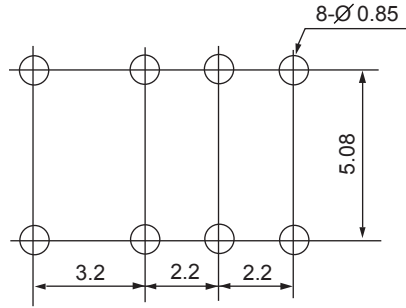


FTR-B3 SERIES

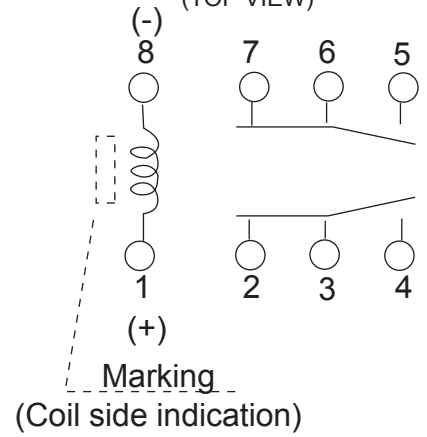
■ FOOTPRINT

FTR-B3C() () ()

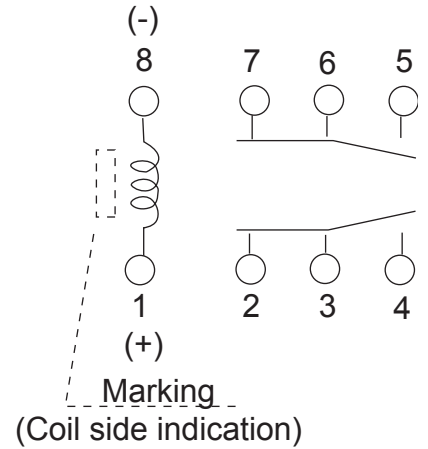
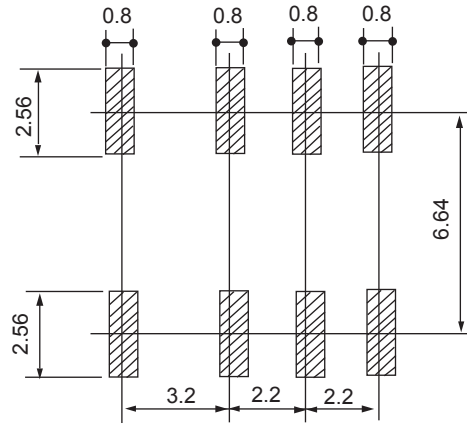
● Mounting Pad (TOP VIEW)



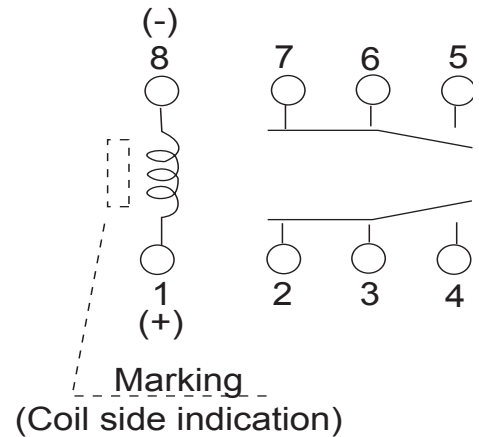
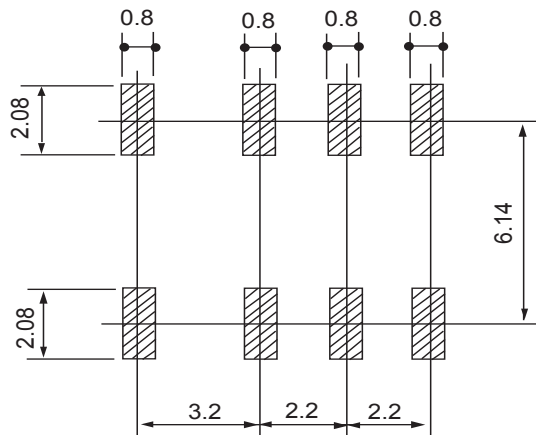
● Wiring Diagram (TOP VIEW)



FTR-B3G() () ()



FTR-B3S() () ()



Unit: mm

©2007 Fujitsu Components America, Inc. All rights reserved. All trademarks or registered trademarks are the property of their respective owners.

Fujitsu Components America or its affiliates do not warrant that the content of datasheet is error free. In a continuing effort to improve our products Fujitsu Components America, Inc. or its affiliates reserve the right to change specifications/datasheets without prior notice.

Rev. February 15, 2007