

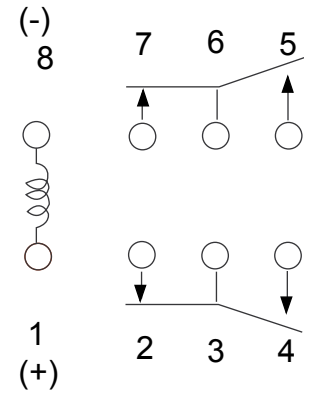
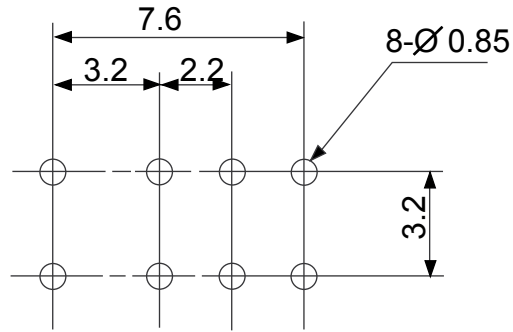
# FTR-B4 SERIES

## FOOTPRINT

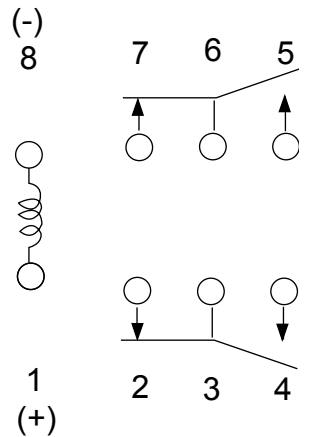
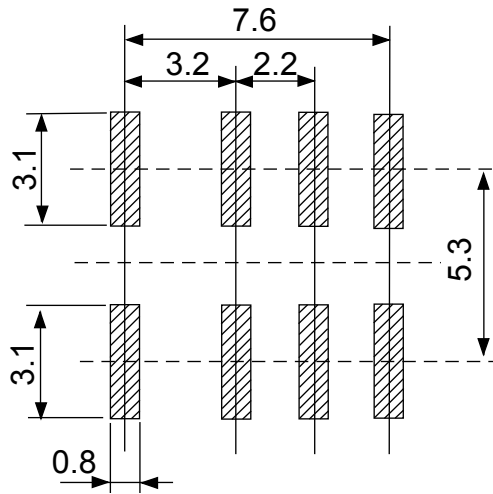
● PC board mounting  
Terminal designations  
(Top view de-energized position)

● Schematics  
Terminal designations  
(Top view de-energized position)

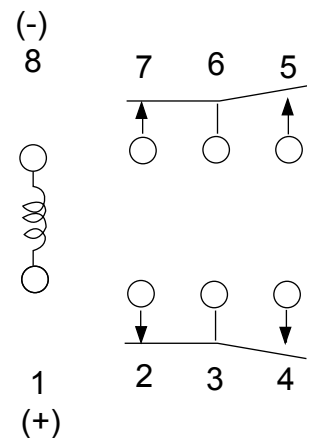
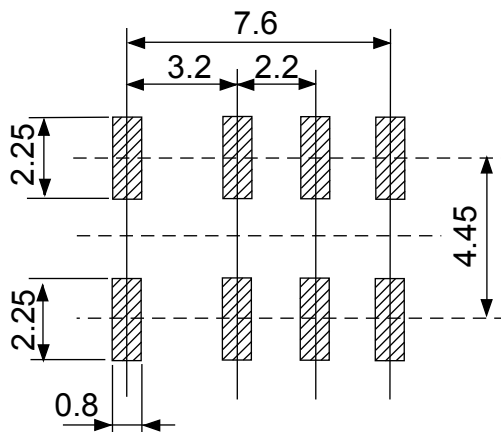
Through hole type



Surface mount type (standard)



Reduced mounting area



Unit: mm